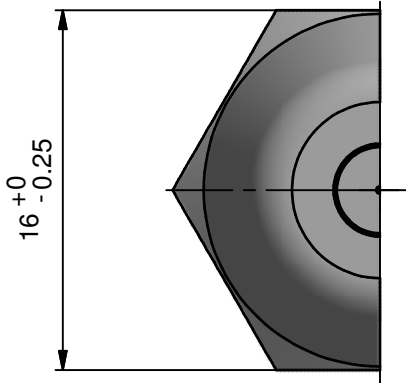
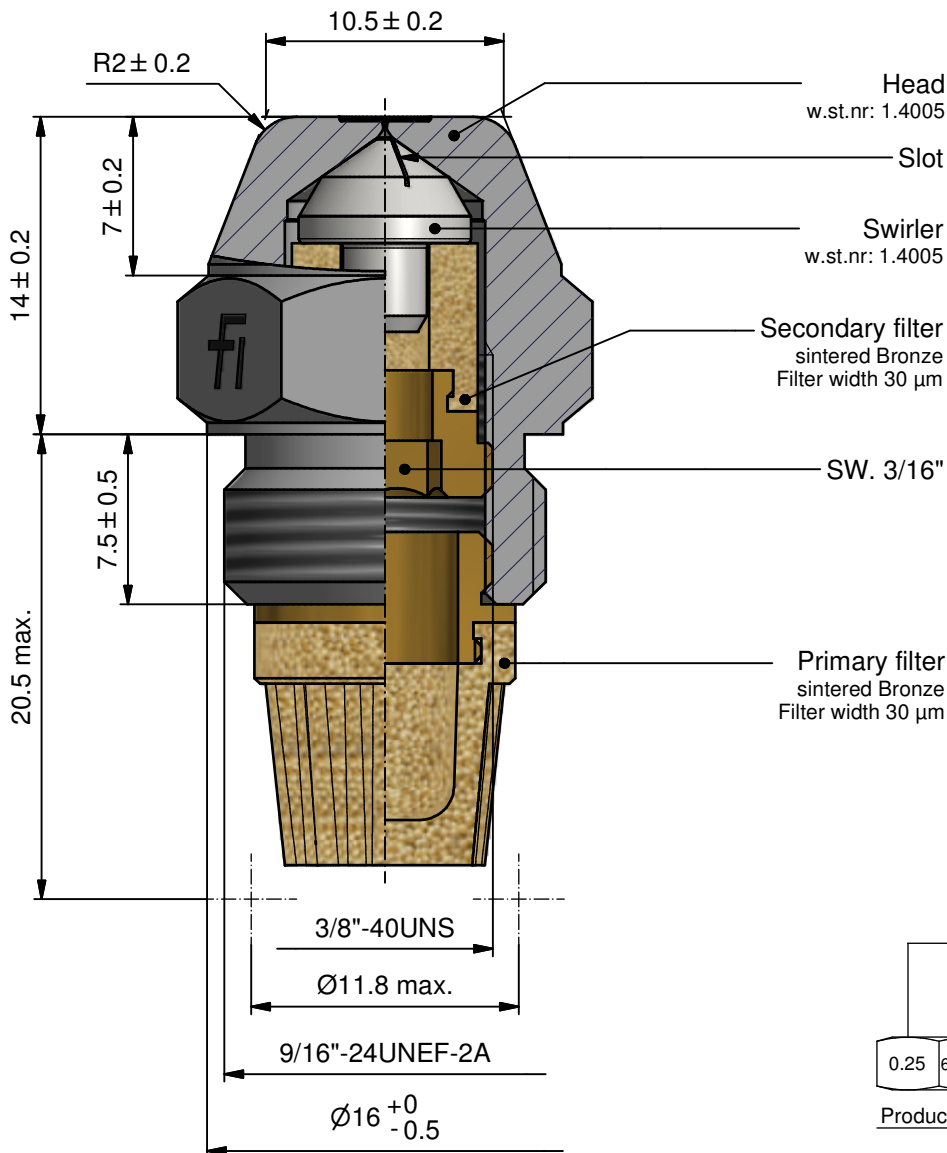




Nominal output at 100 PSI [USgal/h]	Output at 10 bar [kg/h]
0.15 ^{+6%} / _{-2%}	0.57 ±4%
0.20 ^{+6%} / _{-2%}	0.76 ±4%
0.25 ^{+6%} / _{-2%}	0.95 ±4%



Important remark:
To prevent malfunction of atomizers with nominal output smaller than 0.50 USgal/h, it is absolutely necessary to take care of sufficient pre-filtering of the fuel with a filter width smaller than 50 µm.



Spray angle:

45° / 60° / 80°

+5°
- 0° in relation to the design angle

Spray pattern:

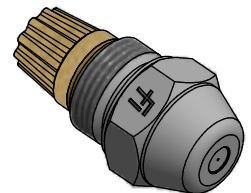
Solid cone type DSF

Test oil according to:

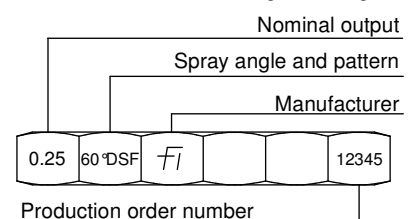
ISO 4113
SAE J 967D

Test conditions:

3,5 cSt. at 37.8°C
817 kg/m³ at 37.8°C



Marking on hexagon:



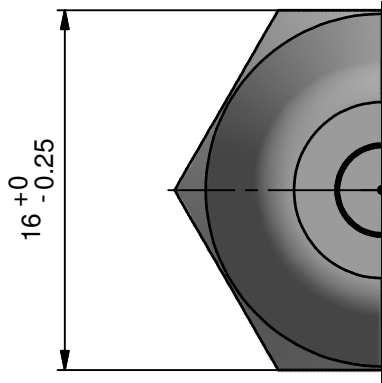


Simplex atomizer
according to EN 293 / 299
DSF / DHF

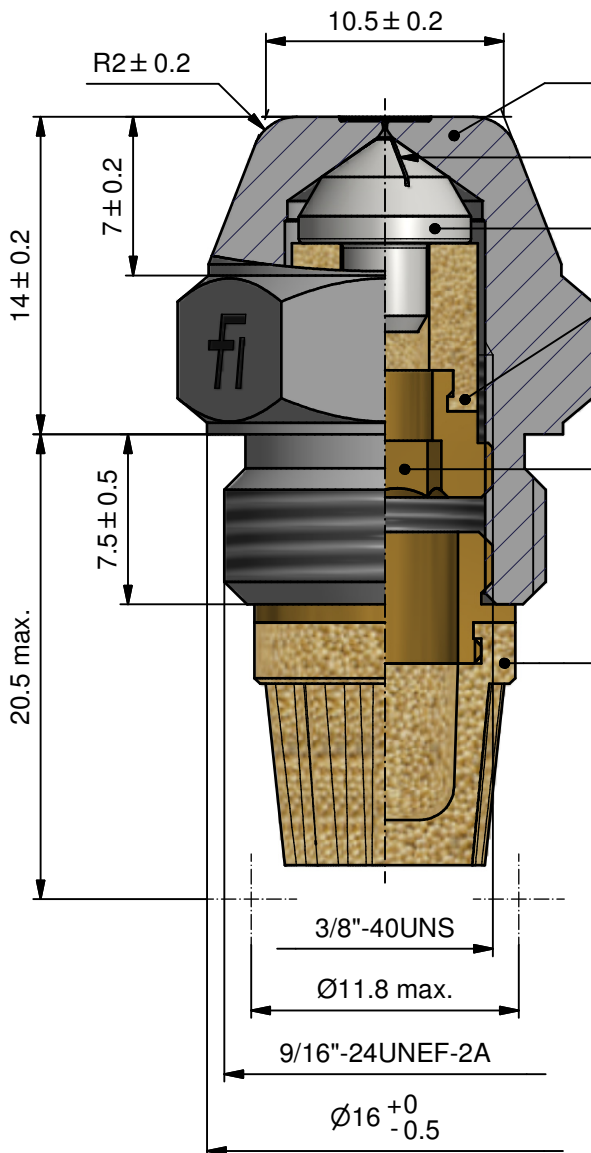
09-DB01-4D-E

26-01-15

Nominal output at 100 PSI [USgal/h]	Output at 10 bar [kg/h]	Spray angle and characteristic					
		45°		60°		80°	
		DSF	DHF	DSF	DHF	DSF	DHF
0.30 ^{+6%} / _{-2%}	1.14 ±4%	50I	60III	70I	80III	100II	90III
0.35 ^{+6%} / _{-2%}	1.33 ±4%	50I	60III	70I	80III	100II	90III
0.40 ^{+6%} / _{-2%}	1.52 ±4%	50I	60III	70I	80III	100II	90III
0.45 ^{+6%} / _{-2%}	1.71 ±4%	50I	60III	70I	80III	100II	90III



Important remark:
To prevent malfunction of atomizers with nominal output smaller than 0.50 USgal/h, it is absolutely necessary to take care of sufficient pre-filtering of the fuel with a filter width smaller than 50 µm.



- Head w.st.nr: 1.4005
- Slot
- Swirler w.st.nr: 1.4005
- Secondary filter sintered Bronze
Nominal output 0.30 and 0.35: Filter width 30 µm
Nominal output 0.40 and 0.45: Filter width 45 µm
- SW. 3/16"
- Primary filter sintered Bronze
Nominal output 0.30 and 0.35: Filter width 30 µm
Nominal output 0.40 and 0.45: Filter width 45 µm

Spray angle:

+5°
- 0° in relation to the design angle

Spray pattern:

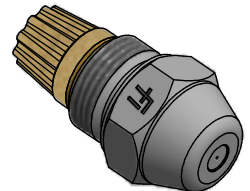
Solid cone type DSF
Hollow cone type DHF

Test oil according to:

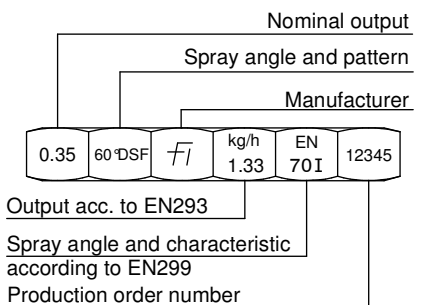
ISO 4113
SAE J 967D

Test conditions:

3,5 cSt. at 37.8°C
817 kg/m³ at 37.8°C



Marking on hexagon:

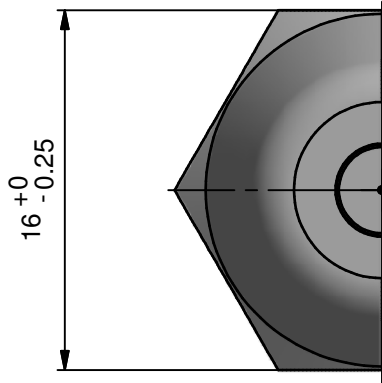




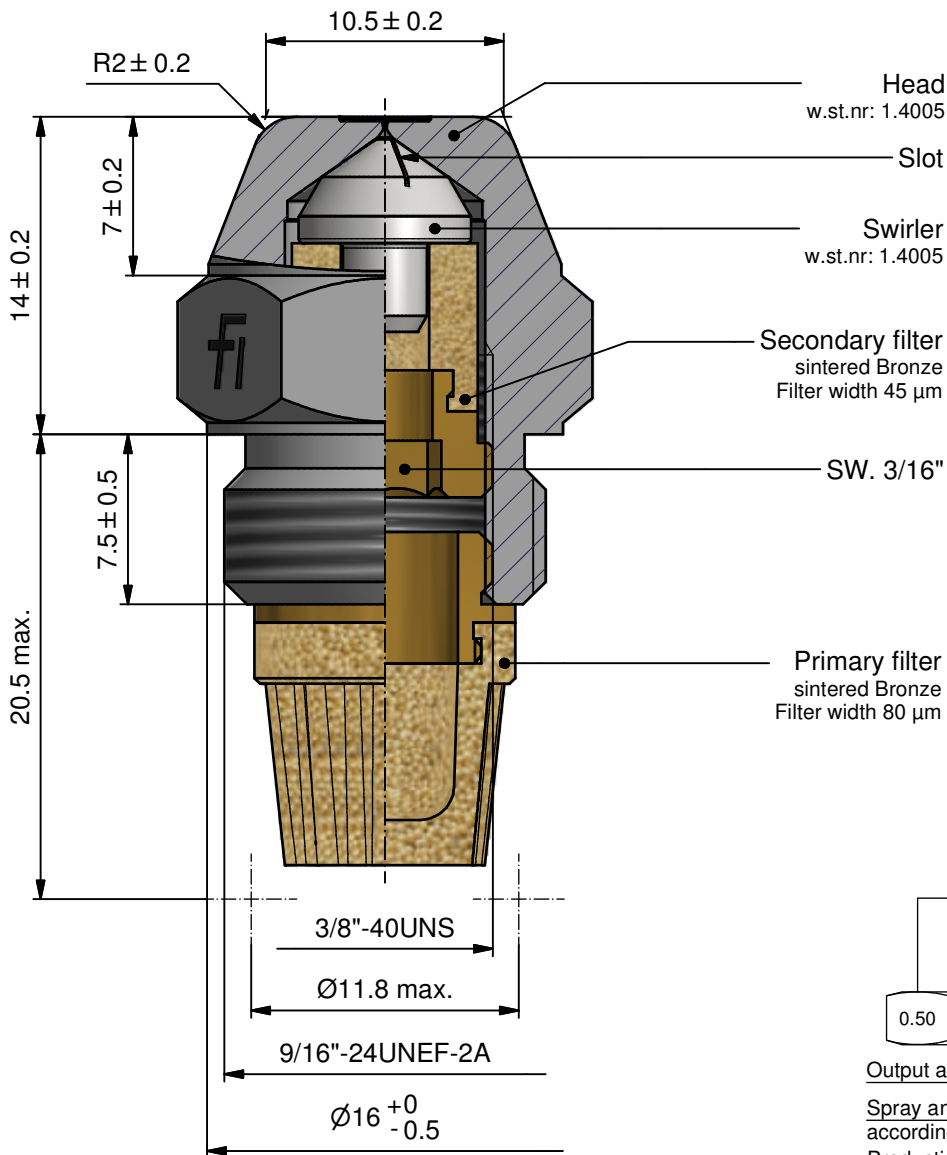
Simplex atomizer
according to EN 293 / 299
DSF / DHF

09-DB01-4D-E

26-01-15



Nominal output at 100 PSI [USgal/h]	Output at 10 bar [kg/h]	Spray angle and characteristic					
		45°		60°		80°	
		DSF	DHF	DSF	DHF	DSF	DHF
0.50 ^{+6%} _{-2%}	1.90 ±4%	50I	60III	70I	80III	100II	90III
0.55 ^{+6%} _{-2%}	2.09 ±4%	50I	60III	70I	80III	100II	90III
0.60 ^{+6%} _{-2%}	2.28 ±4%	50I	60III	70I	80III	100II	90III
0.65 ^{+6%} _{-2%}	2.47 ±4%	50I	60III	70II	80III	100II	90III
0.75 ^{+4%} _{-2%}	2.82 ±3%	50I	60III	70II	80III	100II	90III
0.85 ^{+4%} _{-2%}	3.20 ±3%	50I	60III	70II	80III	100II	90III
1.00 ^{+4%} _{-2%}	3.77 ±3%	50I	60III	70II	80III	100II	90III



Spray angle:

+5°
- 0° in relation to the design angle

Spray pattern:

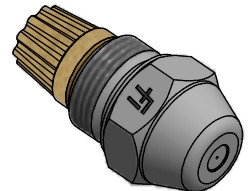
Solid cone type DSF
Hollow cone type DHF

Test oil according to:

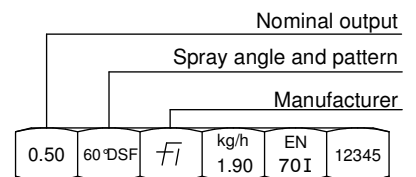
ISO 4113
SAE J 967D

Test conditions:

3,5 cSt. at 37.8°C
817 kg/m³ at 37.8°C



Marking on hexagon:



Output acc. to EN293

Spray angle and characteristic according to EN299

Production order number

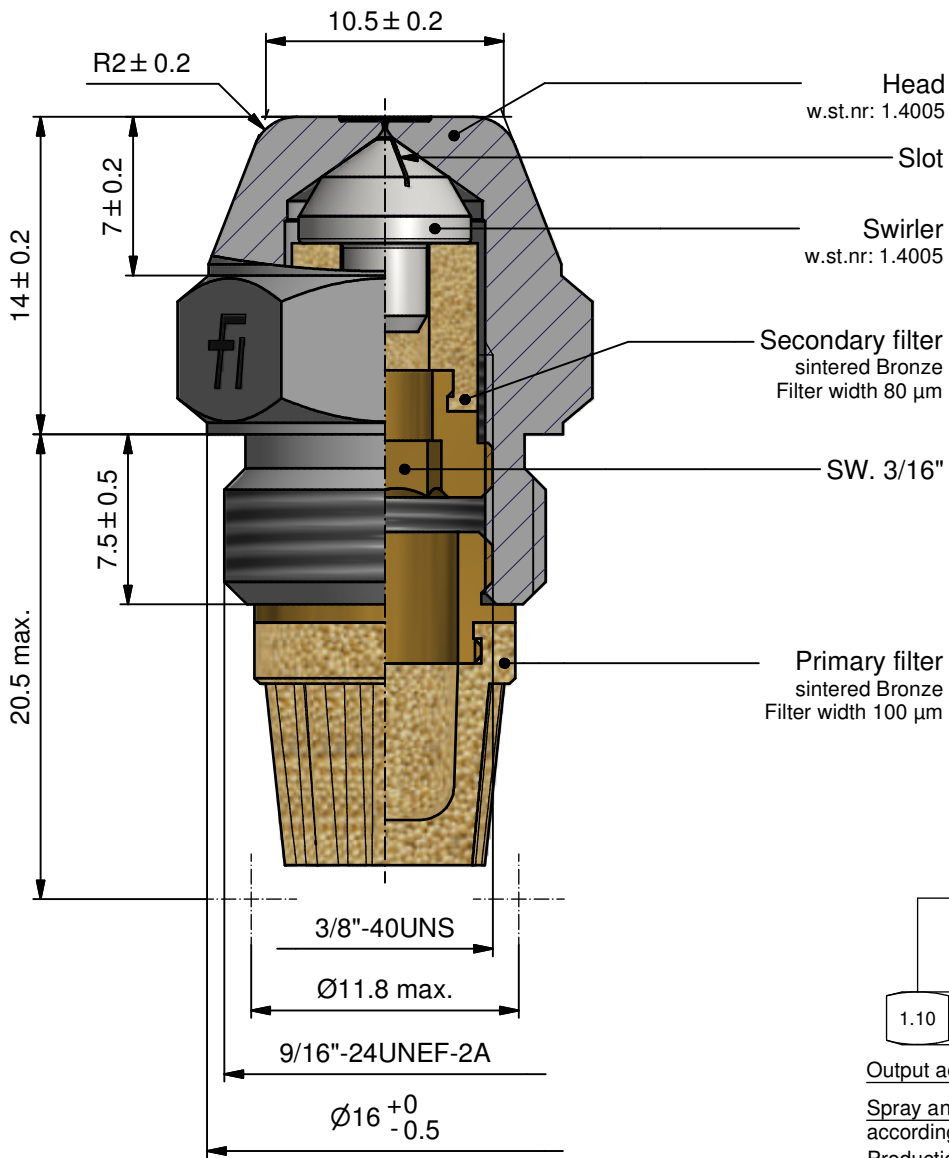
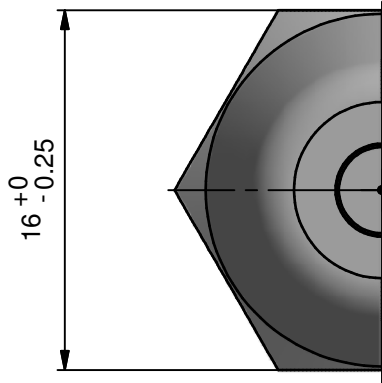


Simplex atomizer
according to EN 293 / 299
DSF / DHF

09-DB01-4D-E

26-01-15

Nominal output at 100 PSI [USgal/h]	Output at 10 bar [kg/h]	Spray angle and characteristic					
		45°		60°		80°	
		DSF	DHF	DSF	DHF	DSF	DHF
1.10 ^{+3%} / _{-2%}	4.12 ±2.5%	50I	50II	60II	60III	80III	80III
1.25 ^{+3%} / _{-2%}	4.68 ±2.5%	50I	50II	60II	60III	80III	80III
1.35 ^{+3%} / _{-2%}	5.06 ±2.5%	50I	50II	60II	60III	80III	80III
1.50 ^{+3%} / _{-2%}	5.62 ±2.5%	50I	60III	60II	70III	80III	80III
1.65 ^{+3%} / _{-2%}	6.18 ±2.5%	50I	60III	60II	70III	80III	80III



Spray angle:

+5°
- 0° in relation to the design angle

Spray pattern:

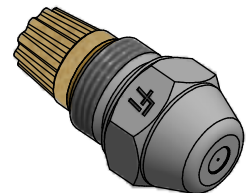
Solid cone type DSF
Hollow cone type DHF

Test oil according to:

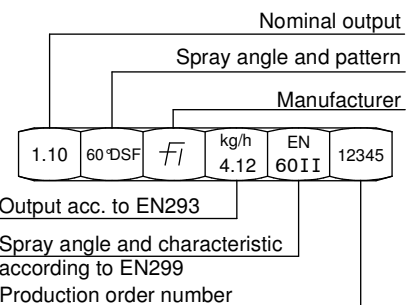
ISO 4113
SAE J 967D

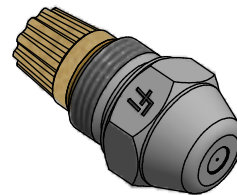
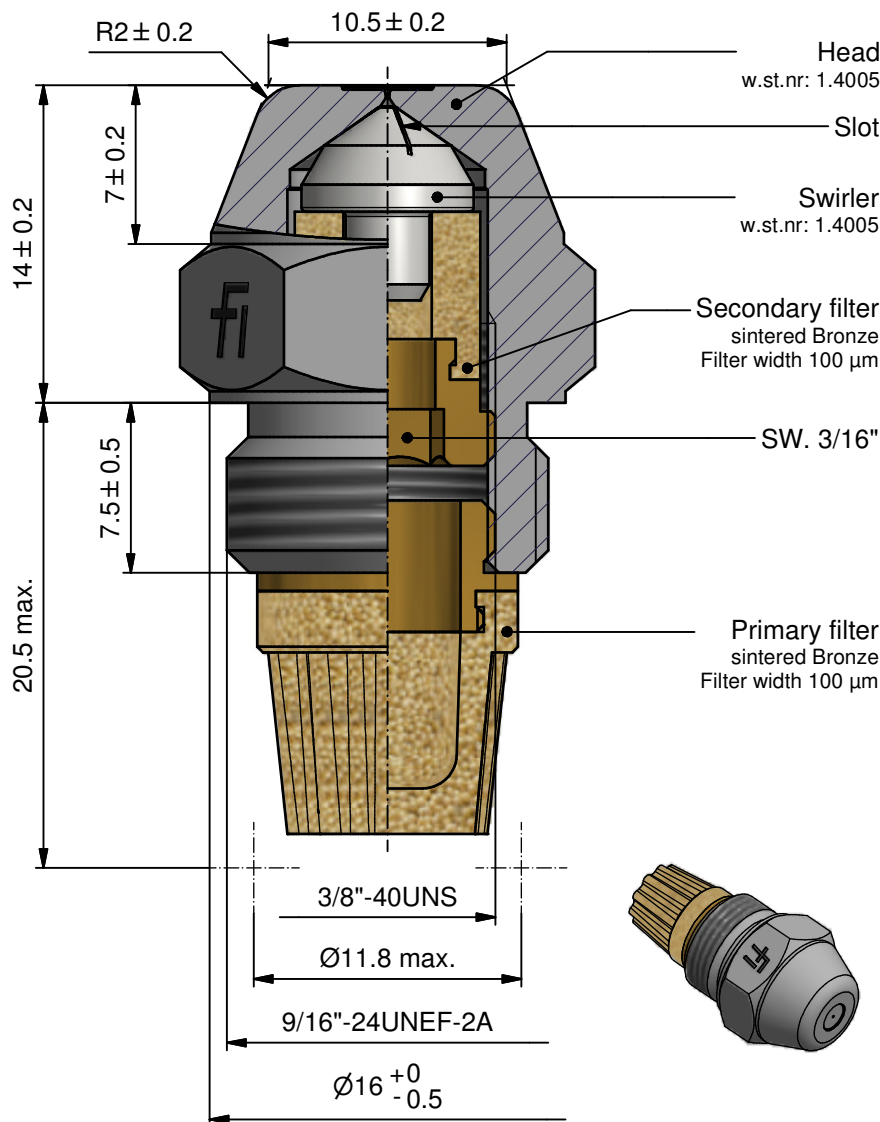
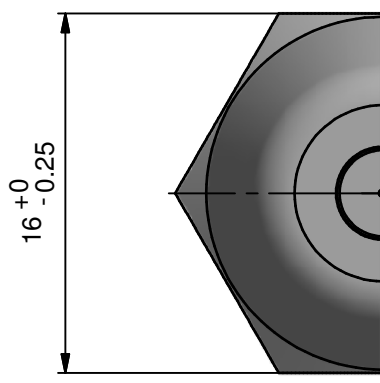
Test conditions:

3,5 cSt. at 37.8°C
817 kg/m³ at 37.8°C



Marking on hexagon:





Nominal output at 100 PSI [USgal/h] +3% / -2%	Output at 10 bar [kg/h] ±2.5%
1.75	6.56
2.00	7.49
2.25	8.43
2.50	9.37
2.75	10.3
3.00	11.2
3.50	13.1
4.00	15.0
4.50	16.9
5.00	18.7
5.50	20.6
6.00	22.5
6.50	24.4
7.00	26.2
7.50	28.1
8.00	30.0
9.00	33.7
10.00	37.5
11.00	41.2
12.00	45.0
13.00	48.7
14.00	52.5
15.00	56.2
16.00	60.0
17.00	63.7
18.00	67.4
19.00	71.2
20.00	74.9
22.00	82.4
25.00	93.7
28.00	105
30.00	112
32.00	120
35.00	131
40.00	150
45.00	169
50.00	187
55.00	206
60.00	225

Spray angle:

45° / 60° / 80°

+5°
- 0° in relation to the design angle

Spray pattern:

Solid cone type DSF
Hollow cone type DHF

Test oil according to:

ISO 4113
SAE J 967D

Test conditions:

3,5 cSt. at 37.8°C
817 kg/m³ at 37.8°C

Marking on hexagon:

