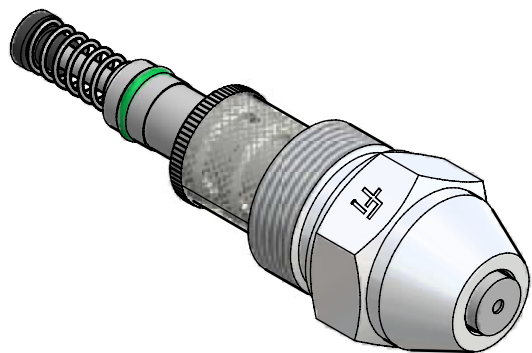
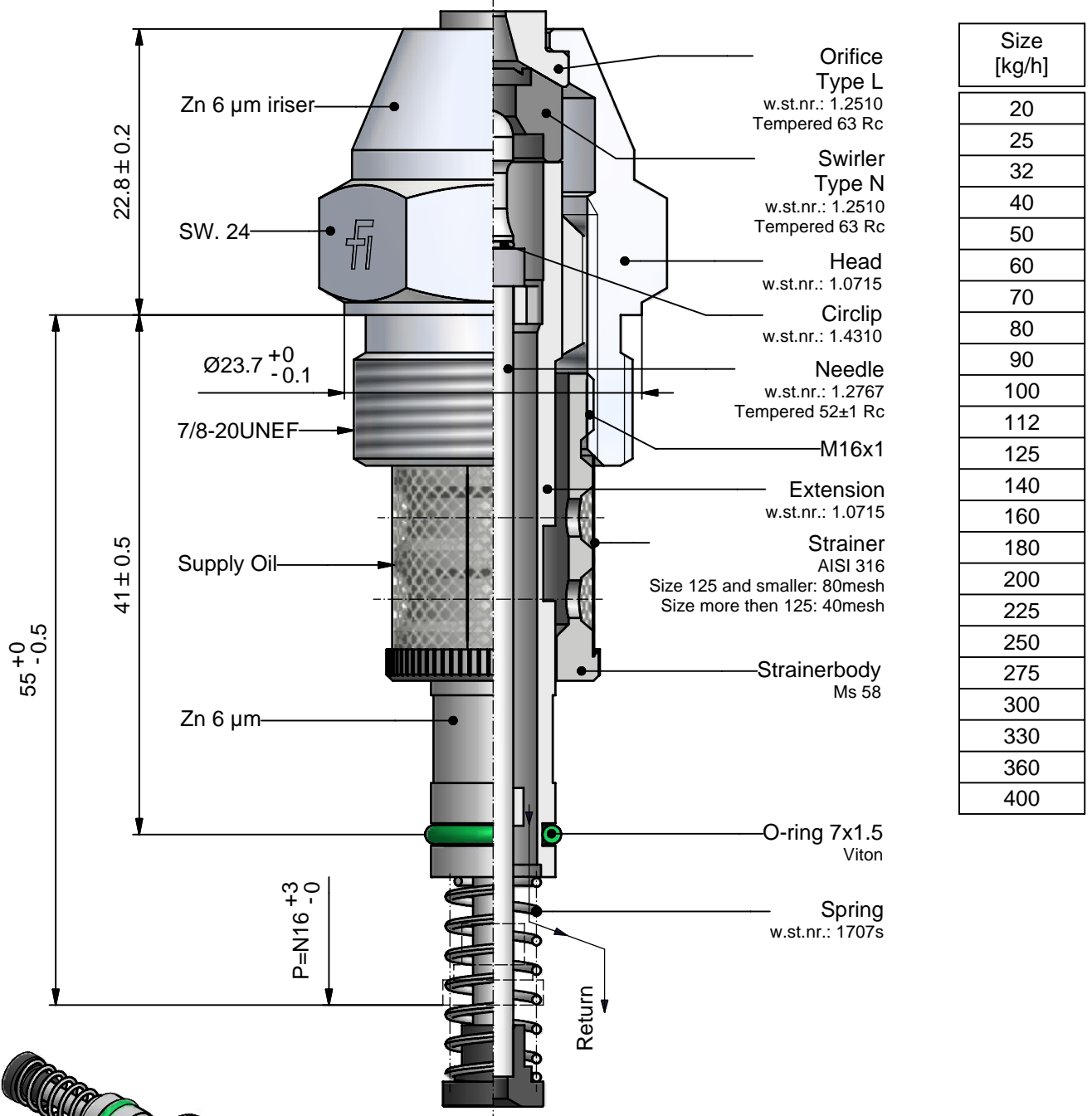




Atomizer 12
W1 - "Size" - 80°

12-DSSM-4G-E

28-11-2006



GENERAL DATA:

Test oil viscosity: 5 cSt.

Supply pressure: 20 Bar.

Max. output with closed return line.

Turn down 1:4 up to 60 at 10 bar return pressure, over 60 at 5 bar return pressure.

Max. output up to 80 0% +10%
up to 180 0% +7%
over 180 0% +5%

Spray angle: Max. output 80°+5°
Turned down 95°+10°

ORDERING: please specify:

- Atomizer type
- Size
- Spray angle
- Quantity

Marking on Hexagon:

